

Structural Nut

Thread Type: Metric - Coarse

Thread Direction: Right Hand

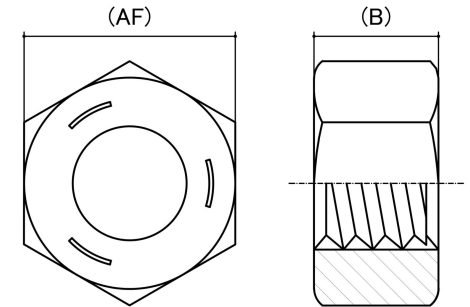
Material: Carbon Steel

Class Grade: High Tensile Class 8

Finish: Galvanised

Corrosion Protection Level: Excellent

Standard: K0 AS 1252:2016



*CAD drawings shown for graphic representation only.**

Size	Thread Pitch (mm)	Thread Type	Overall Nut Height (B) (mm)		Across Flats (AF) (mm)		Spanner Size (AF) (mm)	sku (qfind)
			Min	Max	Min	Max		
M12	1.75	Coarse	12.00	13.10	20.16	21.00	21	41G12GK0
M16	2.00	Coarse	16.00	17.10	26.16	27.00	27	41G16GK0
M20	2.50	Coarse	20.00	21.30	31.00	32.00	32	41G20GK0
M22	2.50	Coarse	22.00	23.30	35.00	36.00	36	41G22GK0
M24	3.00	Coarse	24.00	25.30	40.00	41.00	41	41G24GK0
M27	3.00	Coarse	27.00	28.30	45.00	46.00	46	41G27GK0
M30	3.50	Coarse	30.00	31.30	49.00	50.00	50	41G30GK0
M33	3.50	Coarse	32.00	33.00	53.00	54.00	54	41G33GK0
M36	4.00	Coarse	36.00	37.60	58.80	60.00	60	41G36GK0

Disclaimer:

Dimensional data and technical information was obtained from publically available sources and not acquired through standard agencies. It has been completed and compiled for reference purposes only; where discrepancies are found they are subject to change without notice. Bolt & Nut Australia makes no warranties or representations regarding the accuracy and validity of the compiled information and data. Contact the relevant standard authorities for accurate and detailed information.

* CAD drawings may not reflect diameter, thread length or overall length.

© Bolt & Nut Australia Pty Ltd. All rights reserved.

Version: 18 Mar 2024